



www.freedomshowers.com

Multi-Piece EasyStep Product Installation Instructions

Tools/materials you might need for proper installation

- 6D galvanized screws
- 100% silicone caulking (See specific caulking recommendations)
- caulking gun
- shims
- tape measure
- 1/8" drill bit
- Phillips screw driver
- cardboard
- china marker (or grease pencil)
- furring strips
- construction adhesive
- long spirit level

READ ALL INSTRUCTIONS BEFORE INSTALLATION

1. The back of a fiberglass unit is not waterproof. Unit must be stored so water will drain off and not accumulate in one spot. Water can penetrate the back laminates and soak the glassed in reinforcement supports causing bulges in the gelcoat surface.

2. Most handling damage is the result of impact blows to the back of the fiberglass units.

3. Never drag a fiberglass unit on any surface. Always transport the unit by hand using (2) people or two wheel dolly.

4. Never let a fiberglass unit drop from any height, not even an inch or stress cracks are likely to occur.

5. Placing objects inside the unit can cause scratches or nicks to the finished surface. Do not use the shower as a trash receptacle! Always place a drop cloth or cardboard on the floor when working inside the shower.

6. Never clean fiberglass gelcoat surface with metal tools of any kind, including razor blades.

PLANNING YOUR INSTALLATION

1. Items needed: 6D galvanized screws, 100% silicone caulking, (See specific caulking recommendations), caulking gun, shims, tape measure, 1/8" drill bit, Phillips screw driver, cardboard, china marker (or grease pencil), furring strips, construction adhesive, and a long spirit level.

2. Carefully remove the old bathtub at the installation site. The replacement showers are 77" to 79 1/2" tall. Remove wall board on all three walls to at least this height. Review the FRAMING DIAGRAM for framing

pocket size for the unit you are installing. The floor must be clean, solid, and level. Relocate drain in floor if required. There is a 6" cutout around the drain area. See Figure 1.

Note: Unit will not install properly if framing pocket is not square and of proper size.

3. Modify existing framing if required. For new construction, build framing structure in accordance with indicated dimensions shown in the box below the Framing Diagram.

4. The shower base will be installed, leveled, and fastened to the framing before the walls are installed. Wood shims are provided with the shower in the plastic pouch. These wood shims must be placed by the installer at the back to provide support of the shower floor. See Figure 2 for more information.

5. Always place cardboard or a drop cloth on the shower floor and top of seat to protect the finished surface from scratching and damage.

6. When installed, the wall sections will not be mechanically fastened together, or to the shower base. The wall sections will be installed tight to each other and the shower base with the caulking in the seams providing a water resistant seal. These positions will be maintained when the shower flanges are fastened to the framing. The base must be solidly installed so the seams between the shower base and wall sections will not separate, allowing water to penetrate the wall cavity.

INSTALLATION WARNING

This model is not designed to be installed as a one piece unit. The base shall be self-supported with provided wood shims to support the shower base, and fasteners shall

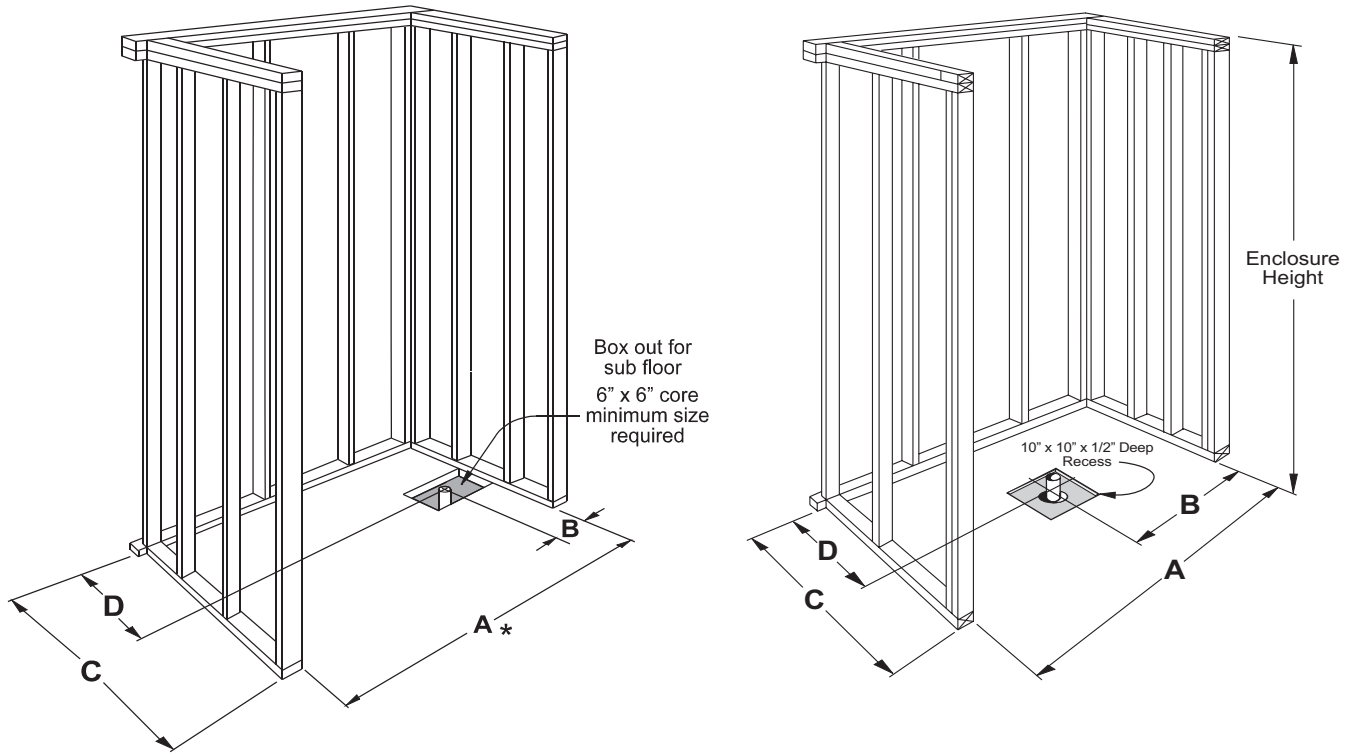


www.freedomshowers.com

Multi-Piece EasyStep Product Installation Instructions

support the flanges prior to installation of the wall sections. This procedure will ensure caulked joints or seams will not separate, allowing water to penetrate the wall cavity.

FAILURE TO COMPLY WITH INSTALLATION INSTRUCTIONS MAY VOID YOUR WARRANTY.



FRAMING DIAGRAMS

figure 1

MODEL	A	B	C	D
APF4836SH4P3	48.1/4"	24.1/8"	37.1/4"	18.1/8"
APF3648SH3P	48"	24"	37"	19"
APT3648SH4				
APF6030SH5P	60.1/4"	8.1/2"	31.1/4"	15"
APF6032SH3P	60.1/4"	9.1/2"	33"	15.3/4"
APF6033SH5PLR	60.1/4"	8.1/2"	33.3/8"	15.1/4"
APT6036SH4				



www.freedomshowers.com

Multi-Piece EasyStep Product Installation Instructions

INSTALLATION INSTRUCTIONS

1. Carefully remove the three parts from the packaging and inspect the shower closely for any shipping damage. Set the wall sections off to the side and move the shower base in front of the framing pocket opening.

2. Use care when handling the shower parts to avoid scratches or stress cracks from excessive flexing.

3. Install the drain fitting on the shower. Follow drain manufacturers instructions. Praxis Companies is not responsible for leaking drain connections.

4. Place cardboard or a drop cloth on shower floor and top of seat to avoid scratching the surface.

5. Locate wood shims in the framing pocket. Carefully measure to ensure the proper placement of these shims so they are supporting the back edge of the shower base. These shims may be placed after the base is installed if the framing is open as shown in *Figure 2*.

PLACE SHOWER BASE INTO FRAMING POCKET

6. Carefully place the shower base into the framed pocket. Do not slide shower base on drain fitting. Use care not to knock the wood shims loose when moving the shower base into the installed position. (See *Figure 3*)

CHECK PLUMB AND LEVEL OF SHOWER BASE

7. Plumb and level the base. Place a level against the front vertical surface, and on top of the threshold. (See *Figures 4 and 5*)

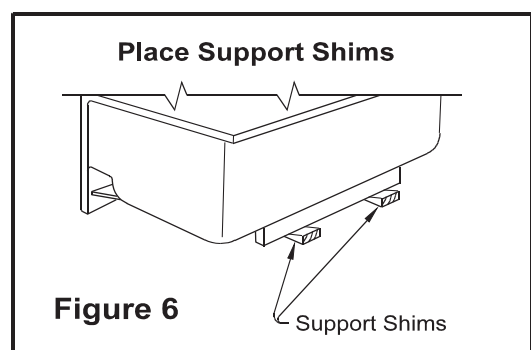
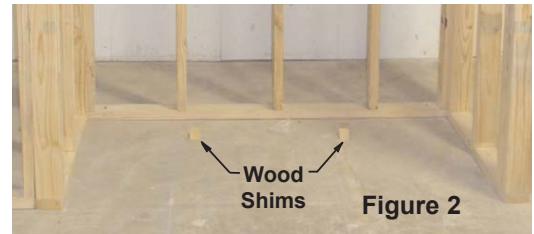
CHECK SUPPORT SHIMS

8. Check the wood support shims to be certain they are tightly wedged in between the floor surface and the back leg of the shower.

Once the shims are in place glue or nail the shims to the sub floor to eliminate any movement. (See *Figure 6*)

**NOTE: IF SHIMS ARE NOT INSTALLED PROPERLY
PREMATURE FAILURE MAY OCCUR ON YOUR SHOWER
AND WARRANTY WILL BE VOID.**

9. Double check again to assure the shower base is level.





www.freedomshowers.com

Multi-Piece EasyStep Product Installation Instructions

Pre-Drill 1/8" pilot holes through the fiber glass nailing flange every 16" horizontally, and every 8" vertically.

Horizontal holes must correspond with the vertical studs. (See Figure 7)

10. **NOTE:** *Furring strips may be used to assure solid contact between the fiberglass mounting flange and the studs.*

Using 6D galvanized screws, secure the shower base to the framing.

Tighten the screws snug and tight to the gelcoat surface, but be careful not to over tighten and break the fiberglass flange.

11. The shower drain connection may be made at this time. Install the drain pipe into the fitting, following the instructions provided with the drain fitting.

12. Install the valve wall FIRST. Set the valve wall onto the shower base. You will note the valve wall has a molded soap dish. (See Figure 9)

There are holes on the underside of the wall. There are alignment pins in the shower base that will insert into the bottom of the wall.

Make sure the Water Barrier Ridge on the shower base, and Groove on wall match up. (See Detail in Figure 10)

Align the vertical grout lines at the seam where the wall panel meets the base.

Assure the seam is tight with no large gaps present.

The wall panel should be temporarily clamped in place to prevent shifting.

13. Carefully measure and mark the location of the water control valve on the side wall panel. Read the installation information provided by the valve manufacturer.

Mark locations for the valve hole(s) on the panel. If valve is already installed, keep in mind the importance that the grout lines on the wall panel line up with those on the shower base. Carefully mark the hole(s) on the wall panel.



Figure 7

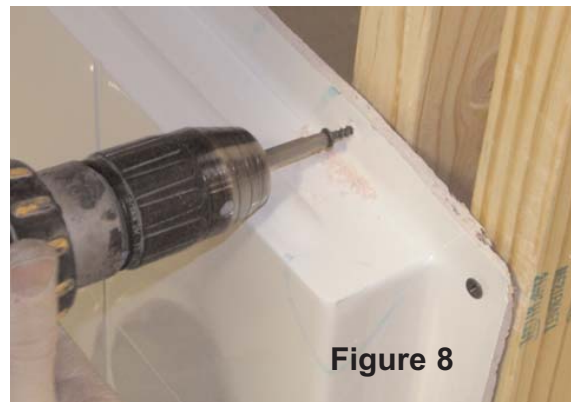


Figure 8



Figure 9

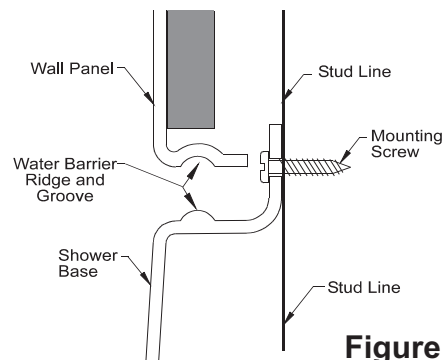


Figure 10



www.freedomshowers.com

Multi-Piece EasyStep Product Installation Instructions

After the valve hole(s) are cut, lift the wall back into place to trial fit. Adjust holes or valve if necessary, keeping in mind the need to make sure the seams and grout lines continue to line up. When satisfied with the fit, clamp the wall in place.

14. Lift the seat side wall into place. There are holes on the underside of the wall. There are alignment pins in the shower base and on the vertical seam. Carefully tilt the wall forward to match the front alignment pin on the shower base to the corresponding hole on the underside of the wall.

Lower the back side of the wall into place making sure the back alignment pin in the shower base and the alignment pin on the vertical seam match up to the corresponding hole. Align the center vertical seam with the valve panel. Make sure the water barrier ridge on the shower base, and groove on wall match up. (See Detail in Figure 10)

Align the vertical grout lines at the seam where the wall panel meet the base, and the horizontal lines at the vertical seam where the walls join.

Assure all seams are tight with no large gaps present.

The wall panel should be temporarily clamped in place to prevent shifting.

15. Using a black China Marker, (or grease pencil) place a 1" line across the seams in the grout lines.

DO NOT use an ink marker, as this may stain the gelcoat.

Mark across the seams in several locations on both the vertical center seam, and the seam where the wall panels meet the shower base. (See Figure 11).

NOTE: These marks are intended to easily show and assure the grout lines match up exactly during the wall fastening step.

16. Measure, and mark locations for mounting holes on the flanges of the wall panels. Mark horizontal so each hole matches up with a stud, (16" on center). Mark every 8" on center for the vertical

flanges at the front of the unit. Drill a 1/8" diameter screw hole at each mark.

Remove the wall panels and set them off to the side.



Figure 11



Figure 12

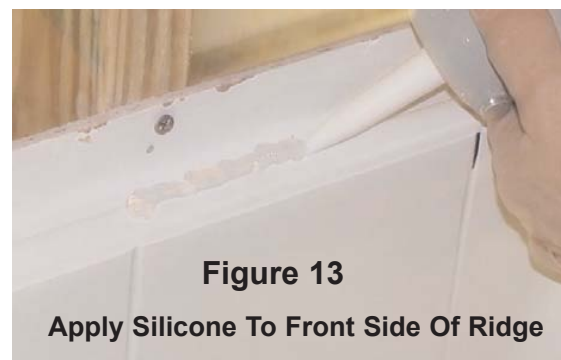


Figure 13

Apply Silicone To Front Side Of Ridge



www.freedomshowers.com

Multi-Piece EasyStep Product Installation Instructions

RECOMMENDED CAULKING

ALL GELCOAT FINISH MODELS:

100% RTV Silicone Adhesive Caulk,
Clear, Or Matching White Or Bone

ALL SOLID SURFACE FINISH MODELS:

Two caulks recommended for best results:
For seams, areas that will not be visible,
100% RTV Clear Silicone Adhesive Caulk.

The function of this caulk is to mechanically bind the shower parts together.

For Visible Surfaces: Safasil matching caulk for cosmetic function to blend with surface and erase seams.

17. A 3/8" thick bead of RTV Silicone Adhesive Caulk must be placed along the front, (Shower Side) of the Water Barrier Ridge on the shower base, as shown in Figure 12. (See closeup view in Figure 13.)

Run an unbroken bead of caulk the entire length of the ridge on the shower base.

18. Set both the left and right side walls onto the shower base. (See Figure 14).

Make sure the Water Barrier Ridge on the shower base, and Groove on walls match up. (See Detail in Figure 15).

19. Apply slight pressure on the walls to assure a tight seam. As you do this, some silicone may squeeze out at the seams.

Carefully align both the vertical and horizontal grout lines, using the marks applied earlier.

20. Once the grout lines are aligned and the meeting seams are tight begin to fasten the walls to the framing pocket using 6D galvanized screws. (See Figure 16).

Start at the top vertical seam at the center of the back wall. Install the first screw through the top horizontal flange at the top of the wall. Alternate from one wall panel to the other and work toward each corner, fastening both walls at the same time. (Do not fully fasten one wall first).

During the fastening process, be careful to keep both the vertical and horizontal grout lines in alignment with each other.

21. Continue fastening alternating between each wall from the corners out to the front of the unit.

Assure that the vertical and horizontal grout lines remain in alignment. Fasten the vertical flanges at the front on both walls.

Install finish trim around the water control valve, per the manufacturers provided instructions.

22. Apply caulk to finish seams. Refer to caulking recommendations for visible surfaces. Smooth caulk and clean away excess before it cures.

Installed units should sit for 72 hours before using the shower.



Figure 14

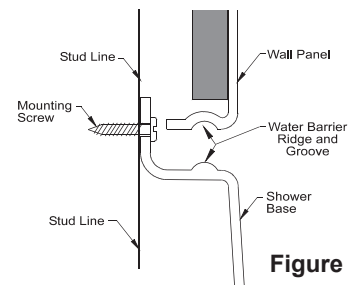


Figure 15



Figure 16