



**For Barrier Free pan models: APA3636BFPAN, APA3939BFPAN, APA4836BFPAN, APA4848BFPAN, APA6032BFPAN, APA6232BFPAN and APA6636BFPAN**

Note: Be sure the opening in the sub-floor slab is minimum 12" (305 mm) square/round and the stub of the water pipe is central with the opening and projects at least 1" (25mm) above the floor.

- 1) Plan the installation relative to finished wall surfaces. Take into consideration the dimensions of the Shower Base and the Shower Door to be installed, if applicable.
- 2) The hole in the Series A shower base is 3 1/4" (83mm) in diameter to accommodate the 2" (50mm) drain fitting. Where the 1 1/2" (38mm) waste pipe has been roughed-in, shorten the stub and attach a 1 1/2" x 2" coupling and a 2" (50mm) nipple to project at least 1" above the sub-floor or slab.
- 3) Install the drain body (figure1) on the shower base before installation as follows.
  - a. Place the drain body (1) through the 3 1/4" hole in the shower base with the threads extending through the bottom hole.
  - b. Apply a generous amount of plumber's putty between drain body and shower base surface.
  - c. Place the rubber gasket (2) over the threads so that the gasket rests flush against the bottom of the shower base.
  - d. Caution: Do not over tighten (Hand tighten & wrench 3/4" turn)
- 4) Prepare the shower base bedding compound using sufficient lightweight cement, plaster, gypsum or fix-all bed to provide an even support for the entire bottom area of the shower base.
- 5) Place the shower base in the proper position (drain fitting over the waste pipe stub) using the floor not the deck as the support and carefully set it in the bedding compound. (See Figure 3)
- 6) Using a level, check the shower base in both directions to ensure that it is level for proper drainage. Do not step on shower base while performing this operation. Note: let shower base set before proceeding.
- 7) Secure base to studs by drilling holes thru tile flange and nail/screw to studs.
- 8) Carefully bring tile or finish surface to the shower base deck. Seal edges as shown (see figures 3).



## Drain Fitting

Note: Be sure the setting bed is completely dry before proceeding.

Prepare the drain joint between the waste pipe and drain fitting as follows (see figure 1)

1. Coat the neoprene ring (6) with lubricant. Then press it over pipe and into drain fitting.  
Caution: **Do not use linseed or mineral oil lubricants.**
2. Using the tool (5) provided, screw threaded ring (7) into the drain body (1).
3. Use an internal cutter to cut waste pipe stub flush with top threaded ring (7).
4. Press snap-on drain cover (4), round or square, into the drain body (1).

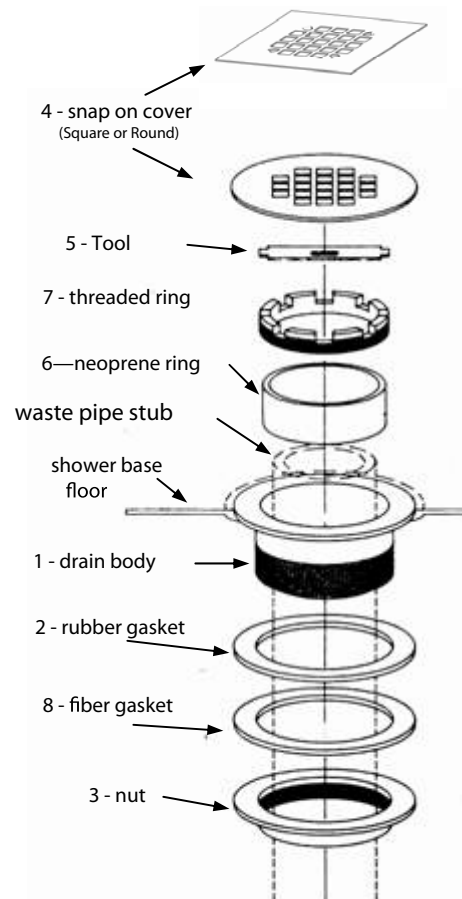


Figure 1

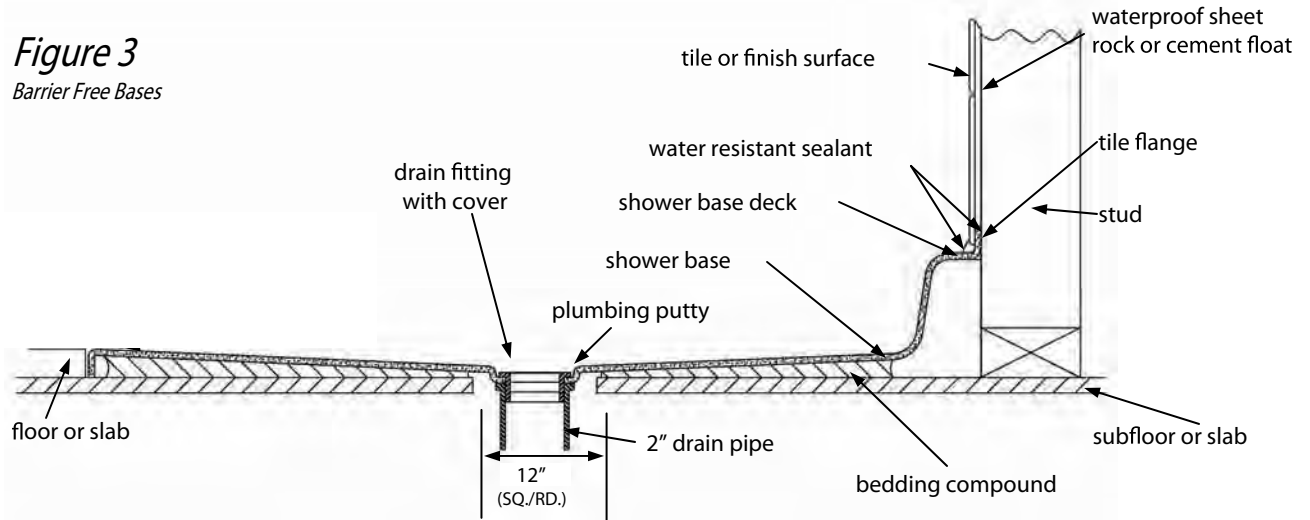


## ACCESSIBILITY PROFESSIONALS

### Series "A" Installation Instructions

**Figure 3**

*Barrier Free Bases*



## Care and Maintenance Instructions

Your series 'A' shower base is made from the highest quality acrylic material available. The hard, non-porous slip resistant surface is designed to prevent dirt build-up and resist stains better than any other plastic material. Normal cleaning is simple and easy. To maintain the exquisite new look of your shower base follow these simple steps:

- Just use warm water, a soft sponge, and mild liquid detergent or non-abrasive cleaner to wipe the surfaces clean and then rinse thoroughly. **Never Use Abrasive Cleaners.**
- Do not allow your acrylic surface to come into contact with products such as acetone (nail polish remover), nail polish, dry cleaning solutions, laquer thinners, gasoline, pine oil, etc.
- Remove dust and dry dirt with a soft damp cloth.
- Clean grease, oil, paint, and ink stains with isopropyl (rubbing) alcohol.
- Avoid using razor blades or other sharp instruments that might scratch the surface.