

## HELPFUL HINT

It is wise to delay demolition of the existing bathtub area until you are confident that your unit has arrived intact, and is the correct size and handing.

This way your customer won't be without a working bathroom if you have to wait for a replacement.

### Required Tools:



---

Hammer	5 Foot Level	Thin-set mixing tool for drill
1/8" counter sink drill bit	2 Foot Level	
Flat head screw driver	3 Buckets 5 gal	
Utility Knife	Tape Measure	
Plumb bob	Safety Glasses	
Drill with Phillips or Square tool	Latex Gloves	
Caulking Gun	Sharpie marker or Pencil	

---

### Materials Needed:

---

#8 or #10 SS Pan Head Wood Screws	Denatured Alcohol
Cardboard	Goof off cleaner
Masking Tape	Plumbers grease
Shims-wood or composite	Plumber's putty
1-Tube White or color matching bathroom	3- 3' lengths 1/2" PVC - plastic pipe (see video)
Caulk 3-Tubes 100% Clear -Silicone Adhesive	2" Caulkless Drain
Large Wiping Cloths	Bag of Rapid Cure Thin-set Mortar

---



**TIP REMINDER: BE PROACTIVE TO SAVE TIME.**

Since you will not know the condition, structural integrity and level of the subfloor beneath the old tub in advance, save time by having the materials you need on hand.

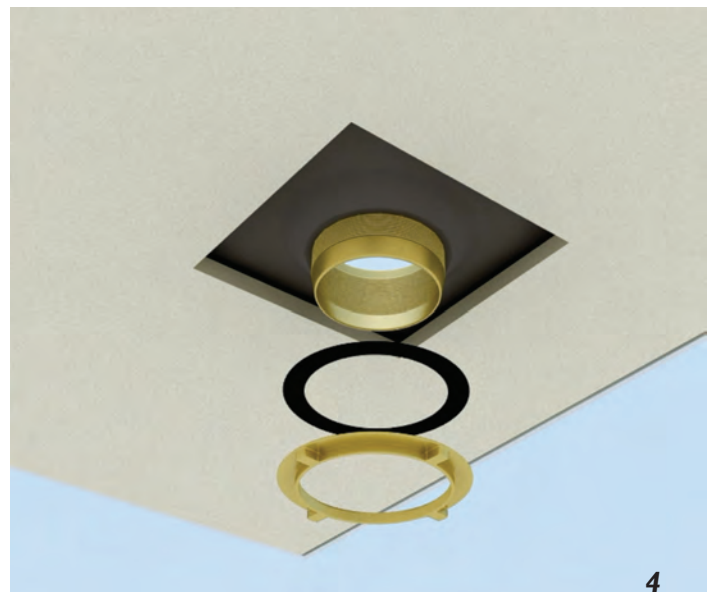
**MOST FLOORS ARE NOT PERFECTLY LEVEL.** Level subfloors and plumb walls are essential to **TROUBLE FREE PERMANENT ASSEMBLY** of your shower base and walls. For out of level floors, purchase in advance a **40LB BAG OF RAPID SET MORTAR** to level floor and permanently adhere the shower base. This product is readily available at your local Tile store or big box home center. You will need a 5 Gal bucket, water, a mixer tool attachment to your drill or a hand stick. Should your **SUB FLOOR** be **LEVEL**, you may use 3 tubes of **100% silicone**. For more information **SEE** page 10.



**DRAIN INSTALLATION:**

Remove the inside neoprene gasket and compression ring from the drain and set aside for a later step. (see image 2)

Install the 2" caulk shower drain body on the pan with plumbers putty (see image 3 & 4). Tighten the nut until snug and excess putty squeezes out around the flange. Remove excess.



## PREPARE DRAIN PIPE:

Prepare drain to meet local plumbing codes (see image 5).

## DRAIN CORE PREPARATION:

### CRITICAL STEP

The details for the drain core area can be found on the Framing Diagram page in the product specification sheets. A 10" x 10" x 1/2"

opening around the drain is required to receive the shower pan and prevent the drain area from being pushed up out of its engineered position. (see image 7a).

For a commercial or home installation on concrete floors the same opening around is required. (image 7b).

WITHOUT THIS CUT OUT THE PAN WILL NOT DRAIN PROPERLY. CAUSING PUDDLING IN YOUR SHOWER.

Stub out and extend the drainpipe 2 to 4 inches above the floor (see image 6).

## CLEAN POCKET AREA OF DEBRIS:

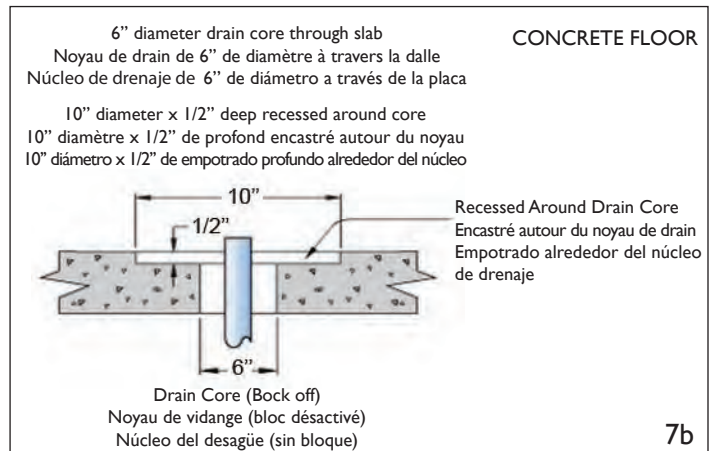
Ensure pocket is clean from all debris, even a small pebble can affect the draft to drain (see image 7a).

DRY FIT PAN: Dry-fit your pan to ensure it fits in the frame properly (see image 8).

## CHECK DRAFT TO DRAIN:

Check draft to drain. Temporarily fasten to wall with one screw, shimming if necessary. Draw a line on the subfloor indicating the front point of the threshold (see image 9).

Remove pan, now it is time to install the drain body.





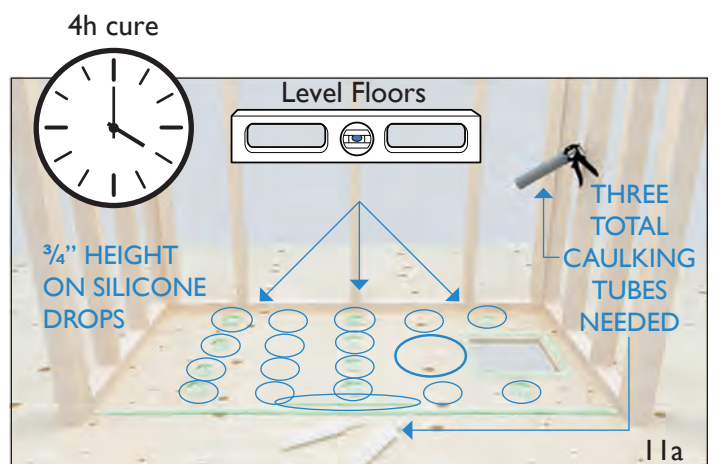
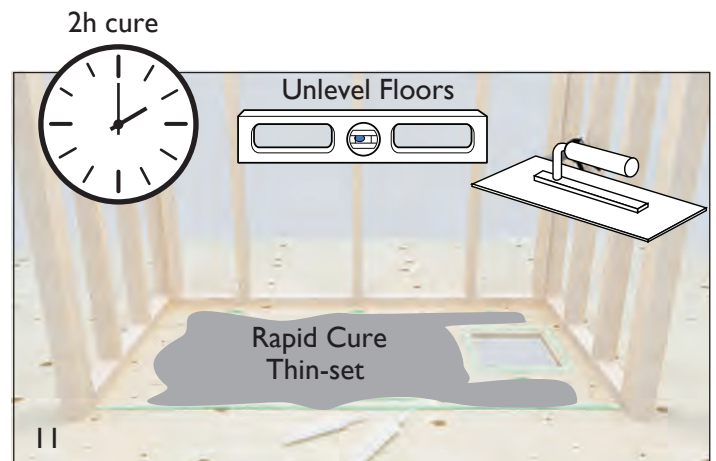
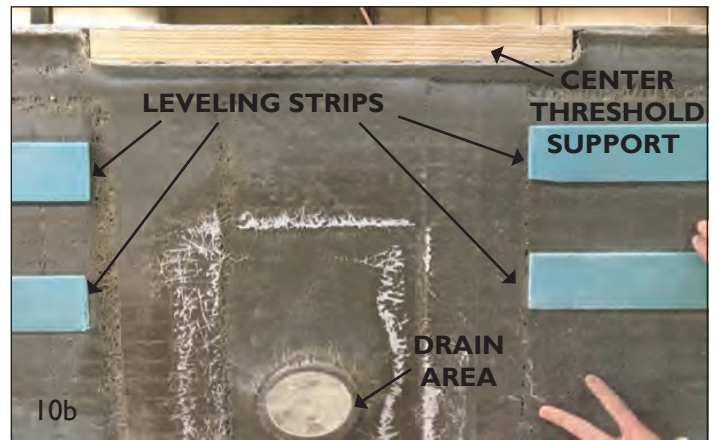
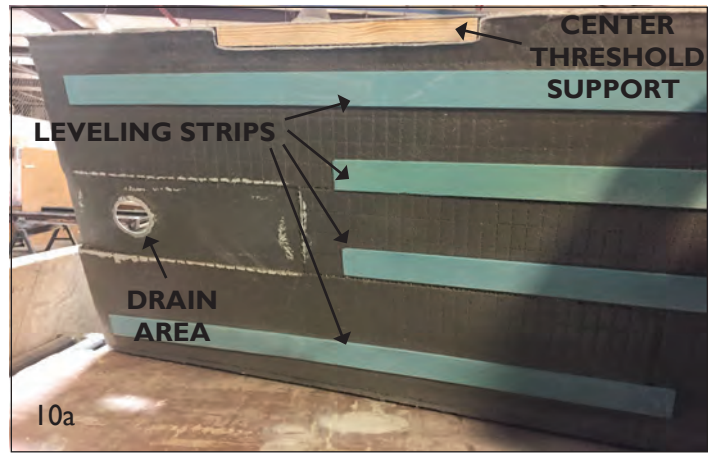
## PREPARATION TO BOND BASE TO FLOOR:

### UNLEVEL SUBFLOORS (IMAGE 11)

Installer shall apply a rapid curing thin-set tile mortar (often referred to as latex modified thin-set) to LEVEL and ADHERE the base to the subfloor in a ONE STEP PROCEDURE. Available at tile stores and home centers, refer to manufacturer cure times. Apply to all area in measured amount in accordance with need as shown including perimeter of the drain area and thin layer beneath threshold support brace to ensure a permanent strong non-flexing base. Pull base back to ensure contact is uniform, add or remove excess as needed to achieve proper level and support. This procedure may be used on UNLEVEL OR LEVEL SUBFLOORS.

### LEVEL SUBFLOOR (IMAGE 11A)

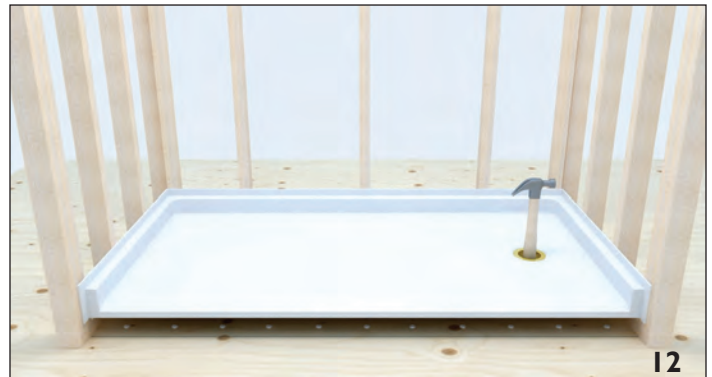
Transfer the location of all identified area where adhesive shall be applied to bond the base to the subfloor using a marker or grease pencil. This shall include the leveling strips, the center of threshold support and the area surrounding the drain resulting in strong non-flexing base. Apply approximately 3 tubes of clear 100% silicone adhesive in 2" -3" diameter puddles at least 3/4" in height to ensure robust contact in an evenly spaced pattern to previously marked areas on subfloor. Apply larger size puddle in drain area and a line of adhesive beneath threshold support brace as shown to ensure a permanent strong non-flexing base. This procedure should not be use on UNLEVEL SUBFLOORS.



**INSTALL PAN:**

Place in permanent position. Place level on flange back and side flanges and adjust until your bubble is perfectly centered between the center lines. **LEVEL IS VERY IMPORTANT TO NEXT STEPS.** Shim pan away from back wall if necessary (referenced on page 6 ENSURE WALLS ARE PLUMB SOLUTION) Secure shower base to all available studs by counter sinking the #10 stainless steel wood screws (see image 14) This allows the screw heads to be flush with the finished flange so as not to interfere with finished wall installation.

Check for level and draft to drain one final time (see image 15). This will be the last opportunity to ensure a perfectly level pan that has draft to the drain before installing the walls.



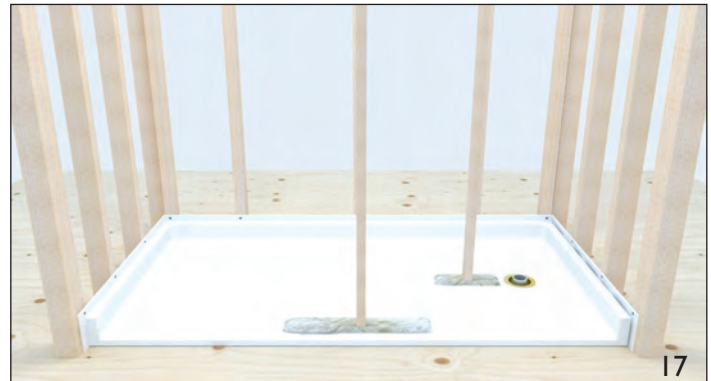
**SECURING PAN TO FLOOR:**

While the adhesive cures, the pan needs to be secured to the floor. There are two possible methods to achieve this. (see image 16)

**I. BRACING**

This is the preferred method which consistently provides the best results.

Place padded pieces of wood as close to the drain as possible (see image 17), and close to the front of the threshold for flush contact to the subfloor (see image 18). Brace securely with 2" x 4" studs against the ceiling. Leave intact for 4 hours (see image 19), then check draft again.





BRACING (cont...)

II. ALTERNATE BRACING METHOD:

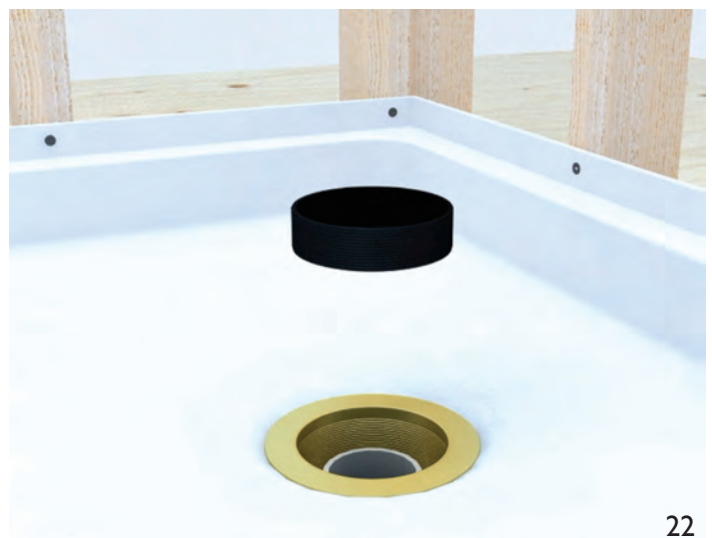
If bracing is not possible, you can weigh the pan down with 5 gallon buckets filled with water (see image 20)

Curing time can be as rapid as 2 hours depending on material, temperature and humidity in the installation environment. Check manufacturer adhesive instructions on the label or online for estimated curing time.

COMPLETE DRAIN CONNECTION:

Cut the drain pipe to be even with the top of the rubber gasket using an inside pipe cutting tool (see image 21).

Using plumbers grease, lubricate the inside of the rubber gasket and slide over the drain pipe with beveled edge facing up (see image 22).





**COMPLETE DRAIN CONNECTION (cont...):**

Push down until rubber gasket seats itself. If there is positive draft, you may now tighten the compression nut ( see *image 23*).

Snap the grid drain into place (see *image 24*).



**APPLY PROTECTION TO FLOOR:**

Place protection on the floor to prevent scratches and dings to the finish while completing the assembly process. The protection can be cut from the cardboard packaging as the example shown here (see *image 25*)



### FRAMING DIAGRAMS

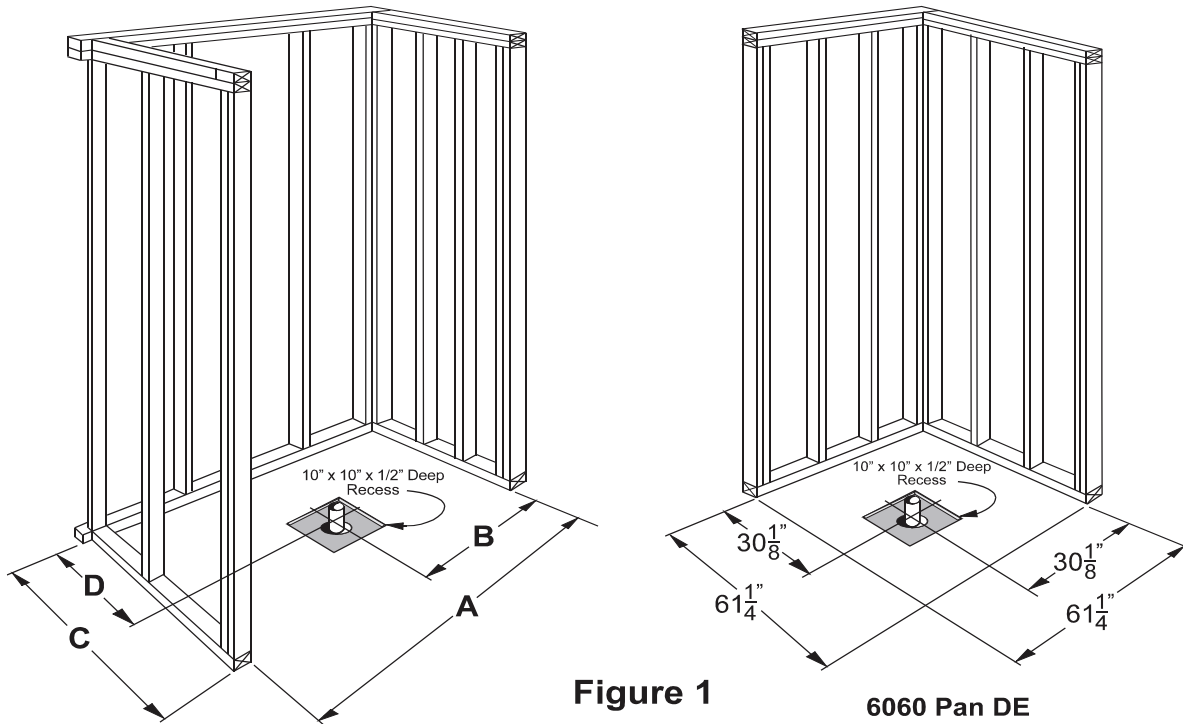


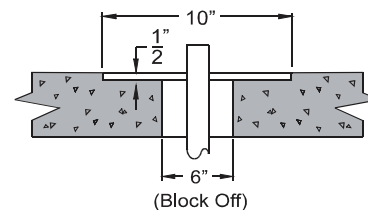
Figure 1

6060 Pan DE  
Double Entry Pan

	A	B	C	D
3838	38 7/8"	19 7/16"	38 7/8"	19 1/8"
4836	48 1/4"	24 1/8"	37"	18"
5050	50 3/4"	25 3/8"	50 1/8"	24"
5050 DE	50"	24"	50"	24"
5430 LR	54 1/4"	8 9/16"	31"	15"
5436 LR	54 1/4"	8 9/16"	36 7/8"	17 5/8"
6030 C	60 1/4"	30 1/8"	31"	15"
6030 LR	60 1/4"	8 9/16"	31"	15"
6033 C	60 1/4"	30 1/8"	33 3/8"	15 1/2"
6033 LR	60 1/4"	8 9/16"	33 3/8"	15 1/2"
6036 C	60 1/4"	30 1/8"	37"	18"
6036 LR	60 1/4"	8 9/16"	37"	18"
6048	60 1/4"	30 1/8"	49"	24"
6060	60 1/4"	30 1/8"	61"	30"
6232 C	62 7/8"	31 7/16"	32 1/4"	16 1/4"
6232 LR	62 11/16"	8 9/16"	32 1/4"	16"
6238	62 7/8"	31 7/16"	38 1/4"	19 1/4"
6060 DE	61 1/4"	30 1/8"	61 1/4"	30 1/8"

#### DETAIL OF DRAIN CORE AREA

6" Diameter Drain Core  
10" x 10" x 1/2" Deep  
Recess Around Core



Note: Unit will not install properly if framing pocket is not square and of proper size. The dimensions shown in the FRAMING DIAGRAMS are 1/4" larger than the size of the shower pan. This product is manufactured to tight specifications. The 1/4" over sizing is for maneuvering and installation ease. If 1/4" over is not reasonable, sizing closer to the product actual dimensions is allowable.